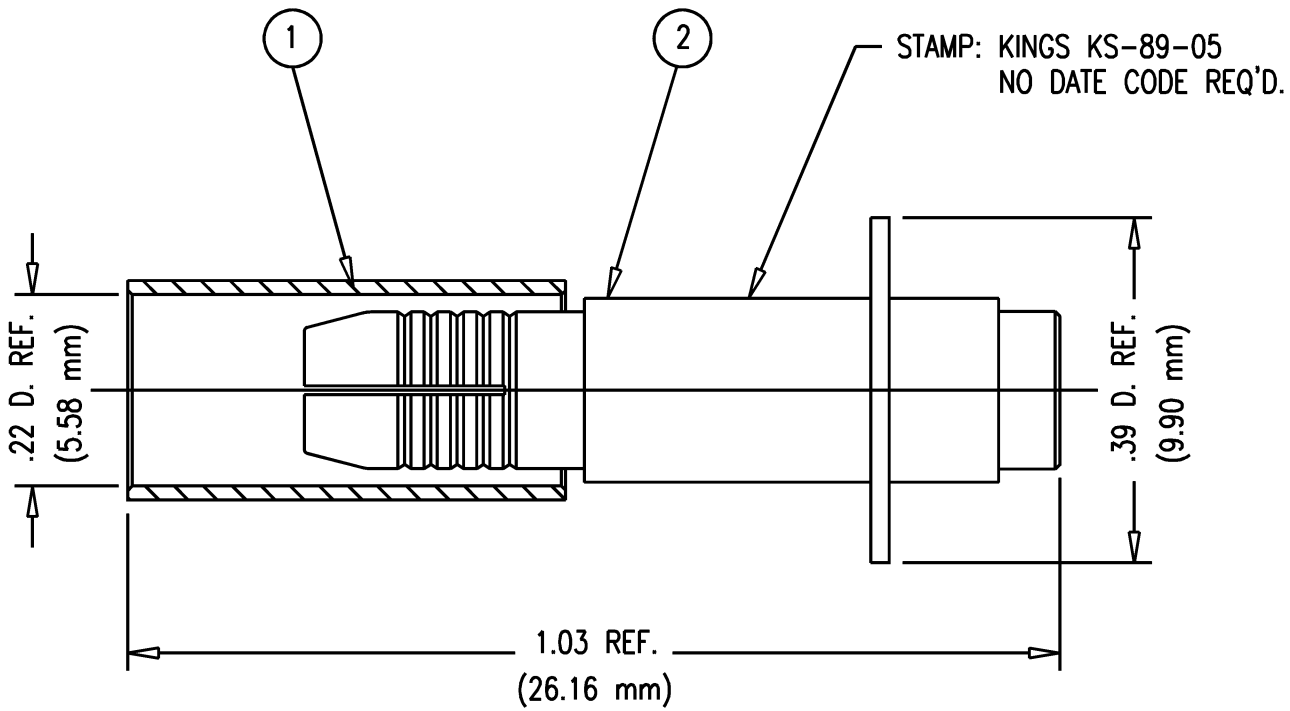


SD

KS-89-05

REVISIONS	
ISSUE	CHANGES
4	CN 25269 C CT 11/14/83
5	CN 37946 C REDRAWN TML 12/21/99



- NOTES:
1. FOR USE WITH RG-58/U WITH IMPROVED CABLE CLAMP TYPE CONNECTORS.
 2. FOR CABLE TRIMMING USE KTD-6 & KTB-4.
 3. FOR CRIMPING USE DIE SIZE 01.

KS8905S	
---------	--

SCALE 4:1

APPROX SURFACE AREA

USED ON

REF:

K-GRIP ADAPTER

DRAWN PETE	DATE 06/14/60
DESIGN	DATE
APPR.	DATE

KINGS
ELECTRONICS CO., INC.
ROCK HILL, SOUTH CAROLINA 29730

SD

KS-89-05